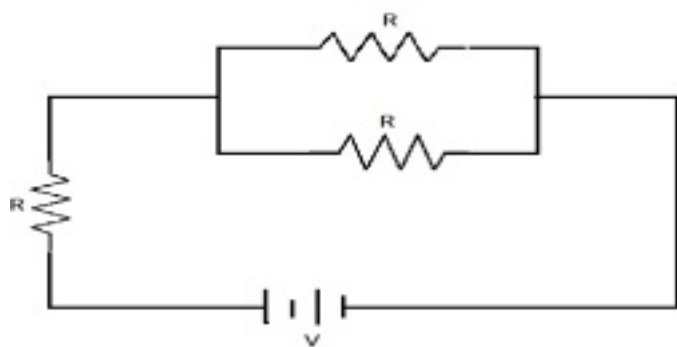


CBSE Class 10 Science

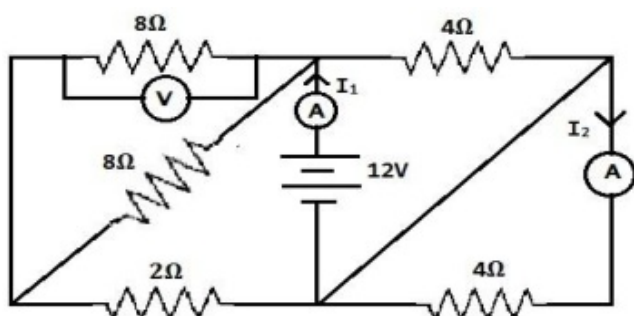
Practice Paper

Chapter 12 Electricity and Effects of Electric Current

- Three bulbs of 100 W each are connected in an electric circuit. If any one of the bulb fails, what would be the effect on the brightness of the other two bulbs if:
 - All the three bulbs are connected in series.
 - All the three bulbs are connected in parallel.
 - They are connected as given in the following figure and any one of the bulb connected in parallel fuses.



- What is the least possible value of electric charge that can flow in an electric circuit?
- Why is tungsten metal used in bulbs but not in fuse wire?
- If the length of a metal wire of resistivity 'R' is doubled and its area is reduced to half, what would be the resistivity of the new wire?
- Consider the given circuit:



- What is the effective/equivalent resistance of the circuit?
- What is the readings in both the ammeters i.e. values of I_1 and I_2 ?
- What is the reading in the voltmeter i.e. potential difference across the 8Ω resistor?